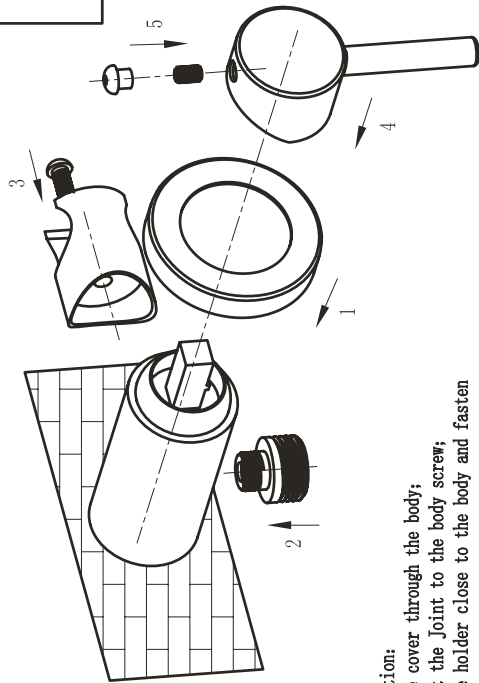
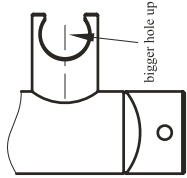


 <p>I.S.A. IDROSANITARIA Via Seradello 157 - Ponte Zanano - 25068 Sarezzo (BRESCIA) ITALY Tel. +39 030 832 881 - 891 096 1 (r.a.) - Fax +39 030 832 883 E-mail : info@isaidrosanitaria.it Web: www.isaidrosanitaria.com</p>			
DATA	REVISIONE	APP.ENTE	ARTICOLO
09-15	0	U.T.	66430



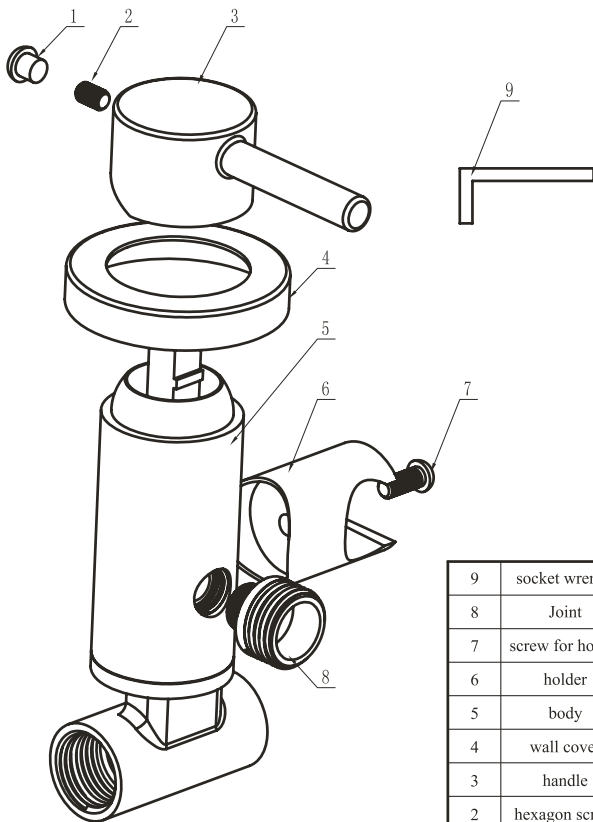
- Installation:**
1. Put the cover through the body;
 2. Connect the joint to the body screw;
 3. Put the holder close to the body and fasten two screws;
 4. Put the handle on the cartridge;
 5. Fix the hexagon screw with socket wrench then put the blue and red plug in.

Installation 2



Part List and Installation

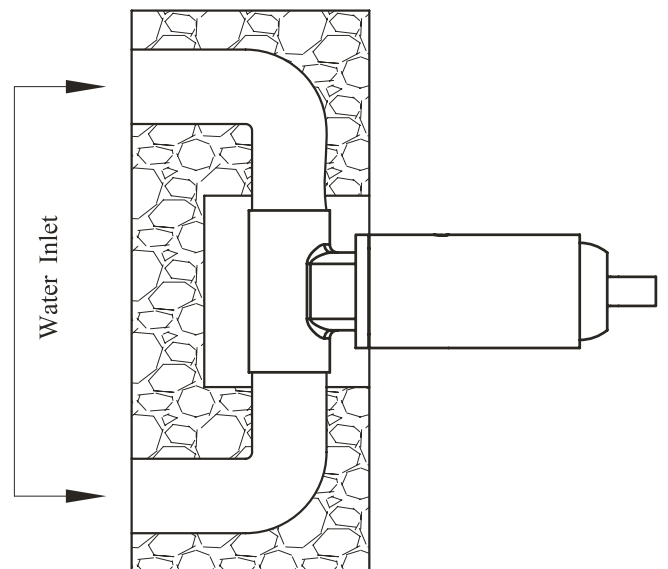
1



9	socket wrench	1
8	Joint	1
7	screw for holder	1
6	holder	1
5	body	1
4	wall cover	1
3	handle	1
2	hexagon screw	1
1	Blue and red plug	1
Item No	Name	QTY

standard Part List

3



Installation 1

2